

Toute Communication ou reproduction de ce document, toute exploitation ou communication de son contenu sont interdites, sauf autorisation expresse. Tout manquement a cette regle constitue un abus evident et expose son auteur au versement de dommages et interets. Tous droits de propriete industrielle reserves, notamment en matiere de brevets et de modeles.

Weitergabe sowie Vervielfaetigung dieser Unterlage, Verwertung und Mitteilung ihres Inhalts nicht gestattet, soweit nicht ausdruercklich zugestanden. Zuwiderhandlungen stellen einen offensichtlichen Missbrauch dar und verpflichten zu Schadenersatz. Alle Rechte fuer den Fall der Patenterteilung oder Gebrauchsmuster-Eintragung vorbehalten.

Non e permesso consegnare a terzi o riprodurre questo documento, ne utilizzarne il contenuto o renderlo comunque noto a terzi senza autorizzazione esplicita. Ogni infrazione costituira un evidente abuso e comportera il risarcimento dei danni subiti. E' fatta riserva di tutti i diritti derivanti da brevetti o modelli.

Copying of this document and giving it to others and the use or communication of the contents thereof, are forbidden without express authority. Contravention of this restriction will constitute an evident abuse and result in a liability to the payment of damages. All rights are reserved in the event of the grant of patent or registration of a utility model or design. This document is the subject of copyright.

1	2	3	4	5	6	7	8
A	B	C	D	E	F	G	H
M16x1,5	M12x1,5	~7	Hex.17	13	~38	18-22 Nm	acc. ISO3583

G: recommended torque without lubrication (max. torque) respect max. torque of counter part

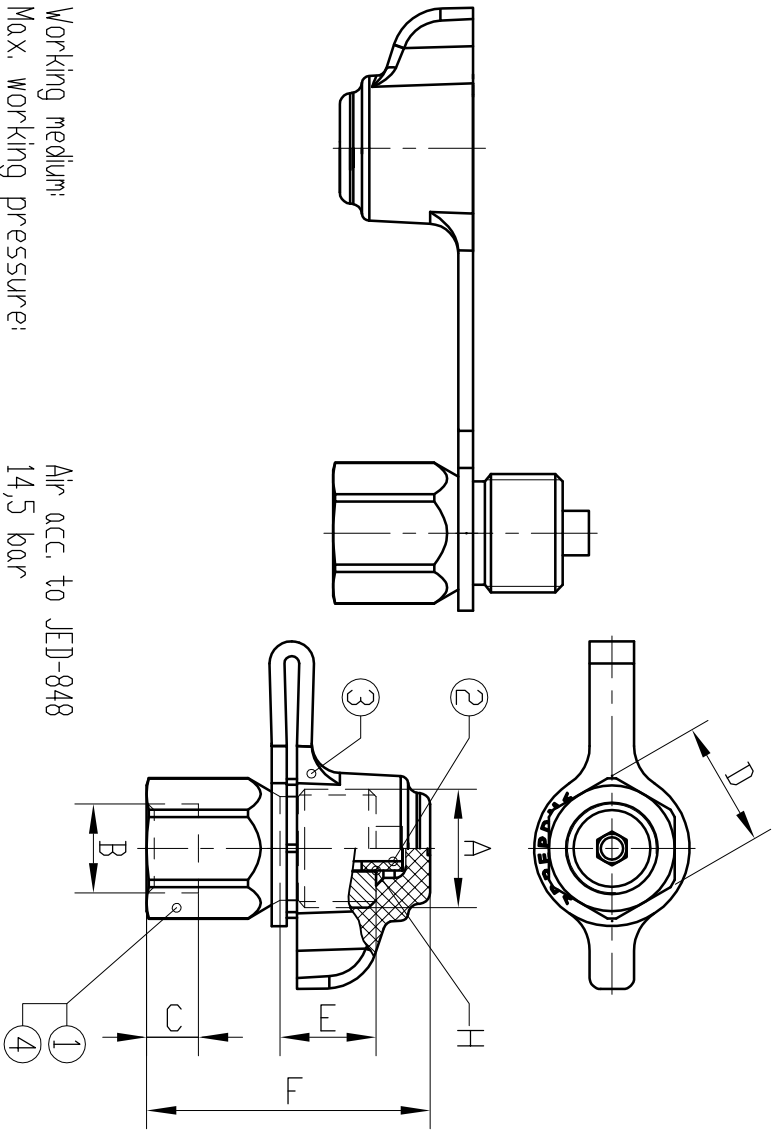
Cleanliness requirement:
No particles >1mm allowed according mandatory standard: JED-334 and JED-593

Material :

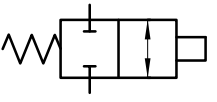
- ① CuZn
- ② PA6
- ③ TPE
- ④ inner components: EPDM, stainless steel, CuZn

General Specification: JED-762 ; JED-271 ; JED-622 ; JED-220 ; JED-367

Engineering related agreements with Supplier have to be mentioned in the "Release of Supplier"



Working medium:
Max. working pressure: 14,5 bar
Nominal working pressure: 10bar
Nominal diameter: 4mm
Thermal range of application: -40°C ... 93°C
Product specification: 463 703 116 0 doc code 035
Part specification: 463 703 116 0 doc code 014
Suitable for use in air brake systems for commercial vehicles



General Specification: JED-334-1, Size ISO 14405 LP	
Further Technical Data	
Doc. Code:	Sheet: To
General Tolerances JED-261	
Range of Nominal Dimensions (± mm)	
Class 1)	≤ 50 > 50 ≤ 180 > 180 ≤ 400 > 400
Fine	X 0,5 1,0 1,5 2,0
Medium	1,0 2,0 3,0 4,0
Course	2,0 3,5 5,0 6,5
Tapped Holes acc.:	
1) Tolerance Class Applied Crossmarked	

Copyright WABCO®		Date		Signature	
Date		Drawn		Signature	
2014-10-03		Gobla			
Checked		Kaufmann			
2014-10-07		Expert			
Kaufmann		Scale			
Mass		0,044		kg	
Size		A 3		Inventor	
CAD System		463 703 116 0		EDN-No.	
		165443		Revision	
		A		Techn. Resp.	
		5791		Date of first issue	
		005		DocCode	
		EN		Language	
		1/1		Sheet	
				Replacement for	

WABCO

Test connection

Material No

463 703 116 0

EDN-No. 165443

Revision A

Techn. Resp. 5791

Date of first issue 1997-05-28

DocCode 005

Language EN

Sheet 1/1